



Instruction manual

hps+ Ultrasonic Sensors for application in overpressure with one analogue output and one switched output

- hps+25/DIU/TC/E/G1
- hps+35/DIU/TC/E/G1
- hps+130/DIU/TC/E/G1
- hps+340/DIU/TC/E/G2
- hps+340/DIU/TC/G2

Product description

- The hps+ sensor measures the level in a vessel in up to 6 bar overpressure contactless. The G1 and G2 threaded pipe end permits the mounting and sealing of the sensor in a flange of the vessel. At the analogue output a signal proportional to the level is created and the pnp switched output is set according to the adjusted detect distance.
- The surfaces of the ultrasonic transducers of the hps+ sensors are protected by a PTFE film (Teflon film) and sealed with a FFKM O-ring against the sensor housing. Therefore the surface of the ultrasonic transducer can be cleaned from cavings or spots.
- The sensor automatically detects the load put to the analogue output and switches to current output or voltage output respectively.
- All settings are done with two push-buttons and a three-digit LED-display (TouchControl).
- Light emitting diodes (three-colour LEDs) indicate all operation conditions.
- Choosing between rising and falling output characteristic as well as output function NOC and NCC is possible.

- The sensors are adjustable manually using the numerical LED-display or may be trained using Teach-in processes.
- Useful additional functions are set in the Add-on-menu.
- With the LinkControl- Adapter LCA-2, available as accessory, all sensor settings can be made optionally with a PC using the LinkControl software.

Important instructions for assembly and application

All employee and plant safety-relevant measures must be taken prior to assembly, start-up or maintenance work (see operation manual for the entire plant and the operator instruction of the plant).

The sensors are not considered as safety equipment and may not be used to ensure human or machine safety!

The hps+ sensors indicate a **blind zone**, in which the distance cannot be measured. The **operating range** indicates the distance of the sensor that can be applied in normal atmospheric pressure with sufficient function reserve.

Assembly instructions

- ▶ Assemble the sensor at the installation location.
- ▶ If necessary seal the sensor with the enclosed Viton O-ring (34 x 2,5 mm or 60 x 4 mm) against the flange.
- ▶ Plug in the connector cable to the M 12 connector.

	1	+U _B	brown
	3	-U _B	blue
	4	D	black
	2	I/U	white
	5	SynC/Com.	grey

Fig. 1: Pin assignment with view onto sensor plug and colour coding of the microsonic connection cable

Start-up

- hps+ sensors are delivered factory made with the following settings:
- Rising analogue characteristic
 - Window margins for the analogue output set to blind zone and operating range

- Switched output on NOC
- Detecting distance at operating range
- Measurement range set to maximum range
- Sensitivity at Normal pressure

Set the parameters of the sensor manually or use the Teach-in procedure to adjust the detect points.

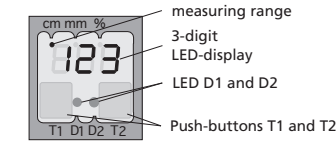


Fig. 2: TouchControl

Operation

hps+ sensors work maintenance free. Small amounts of dirt on the surface do not influence function. Thick layers of dirt and caked-on dirt affect the sensor function and therefore must be removed.

Note

- In operation in overpressure it is recommended to adjust the sensitivity of the hps+ sensor: choose the parameter A14 in the Add-on menu and set it to sensitivity E2 for atmospheric pressure from 1 to 3 bar or to sensitivity E3 for atmospheric pressure > 3 bar.
- hps+ sensors have internal temperature compensation. Because the sensors heat up on their own, the temperature compensation reaches its optimum working point after approx. 30 minutes of operation.
- If an object is within the set window margins of the analogue output, then LED D1 lights up green, if the object is outside the window margins, then LED D1 lights up red.
- The load put to the analogue output is detected automatically when turning supply voltage on.
- During normal mode operation, a yellow LED D2 signals that the switched output has connected.
- During normal mode operation, the measured distance value is displayed on the LED-indicator in mm. Alternatively a percentage scale may be set in the add-on menu. In this connection 0% and 100% correspond to the set window margins of the analogue output.
- During Teach-in mode, the hysteresis loops are set back to factory settings.
- If no objects are placed within the detection zone the LED-indicator shows »-«.
- If no push-buttons are pressed for 20 seconds during parameter setting mode the made changes are stored and the sensor returns to normal mode operation.

Show parameters

Tapping push-button T1 shortly during normal mode operation shows »PAr« on the LED-display. Each time you tap push-button T1 the actual settings of the analogue output and the switched output are shown.

Contact

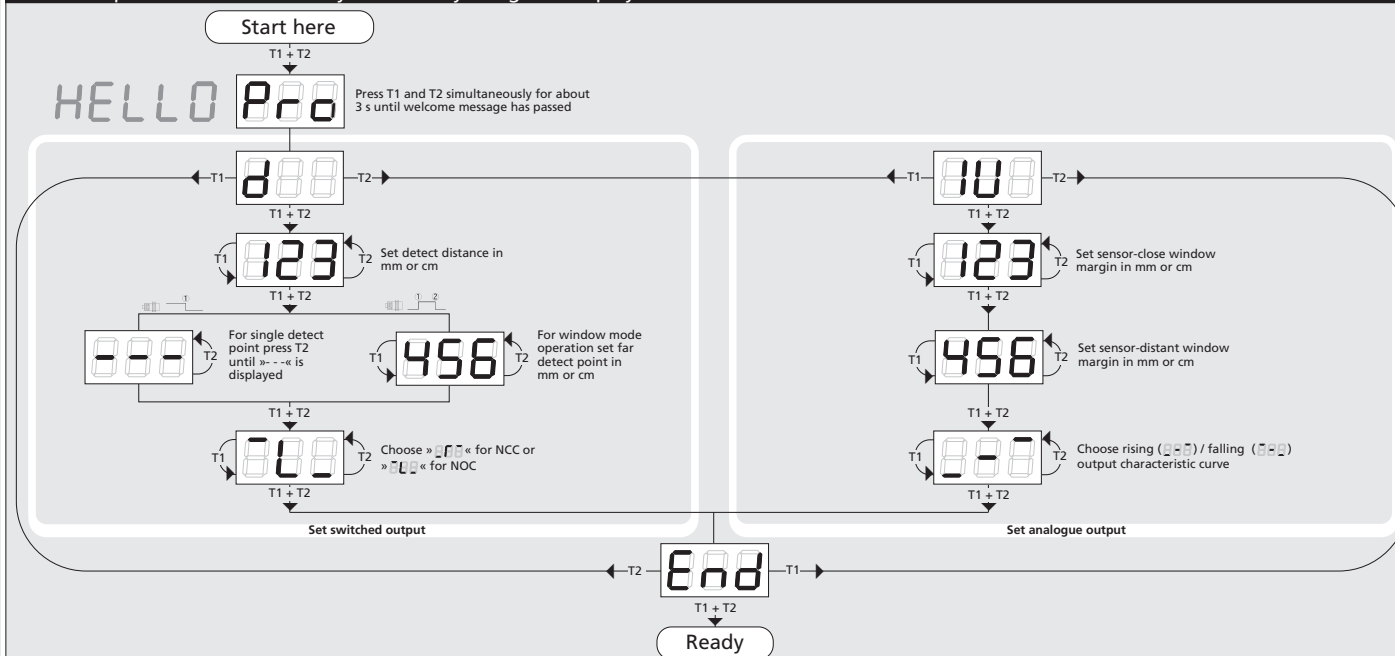
Sensor Partners BV

James Wattlaan 15
5151 DP Drunen
The Netherlands
+31 (0)416 - 37 82 39
info@sensorpartners.com
sensorpartners.com

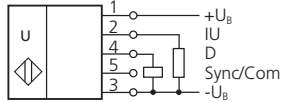
Sensor Partners BVBA

Z.1 Researchpark 310
B-1731, Zellik
Belgium
+32 (0)2 - 464 96 90
info@sensorpartners.com
sensorpartners.com

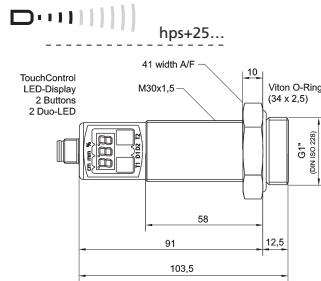
Set sensor parameters alternatively numerically using LED-display...



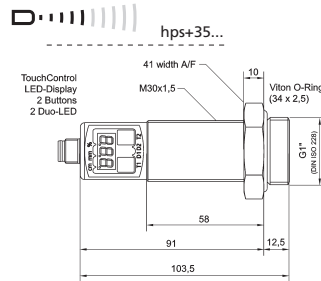
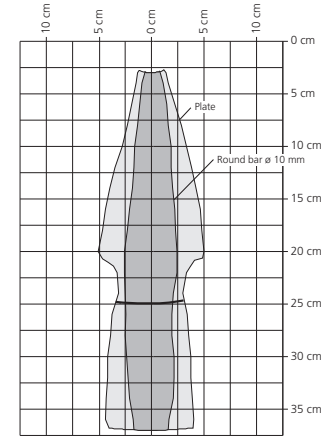
Technical data



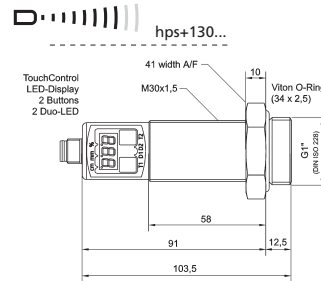
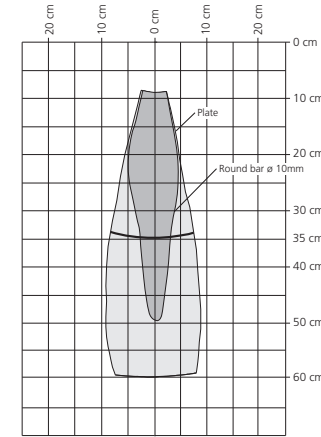
1 pnp switched output + analogue output



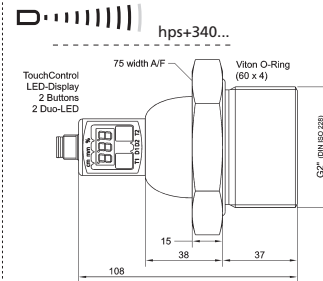
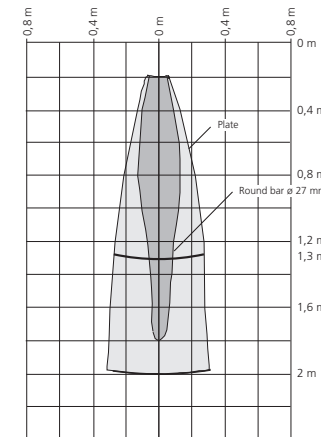
Operating range	0 to 30 mm
Maximum range	250 mm
Angle of beam spread	Please see detection zone
Transducer frequency	320 kHz
Resolution, sampling rate	0.025 mm
Reproducibility	± 0,15 %
Accuracy	Temperature drift internal compensated, ≤ 2 % may be deactivated ¹⁾ (0,17%/K without compensation)



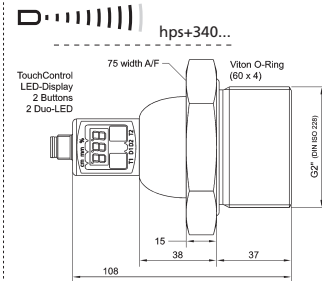
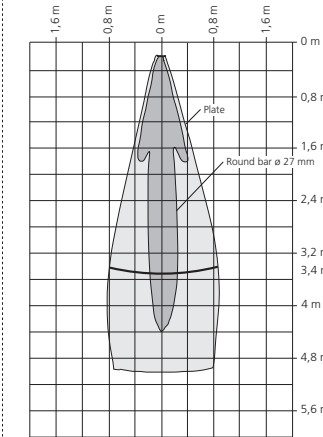
Operating range	0 to 85 mm
Maximum range	350 mm
Angle of beam spread	Please see detection zone
Transducer frequency	320 kHz
Resolution, sampling rate	0.18 mm
Reproducibility	± 0,15 %
Accuracy	Temperature drift internal compensated, ≤ 2 % may be deactivated ¹⁾ (0,17%/K without compensation)



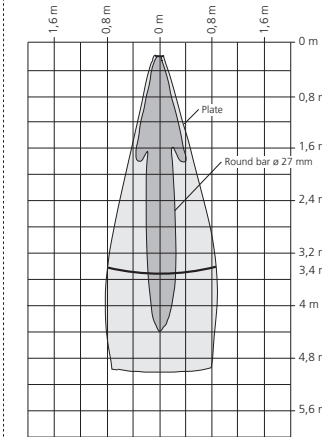
Operating range	0 to 200 mm
Maximum range	1,300 mm
Angle of beam spread	Please see detection zone
Transducer frequency	180 kHz
Resolution, sampling rate	0.18 mm
Reproducibility	± 0,15 %
Accuracy	Temperature drift internal compensated, ≤ 2 % may be deactivated ¹⁾ (0,17%/K without compensation)



Operating range	0 to 350 mm
Maximum range	3,400 mm
Angle of beam spread	Please see detection zone
Transducer frequency	120 kHz
Resolution, sampling rate	0.18 mm
Reproducibility	± 0,15 %
Accuracy	Temperature drift internal compensated, ≤ 2 % may be deactivated ¹⁾ (0,17%/K without compensation)



Operating range	0 to 350 mm
Maximum range	3,400 mm
Angle of beam spread	Please see detection zone
Transducer frequency	120 kHz
Resolution, sampling rate	0.18 mm
Reproducibility	± 0,15 %
Accuracy	Temperature drift internal compensated, ≤ 2 % may be deactivated ¹⁾ (0,17%/K without compensation)



Detection zones for different objects:
The dark grey areas are determined with a thin round bar and indicate the typical operating range of a sensor. In order to obtain the light grey areas, a plate (500 x 500 mm) is introduced into the beam spread from the side. In doing so, the optimum angle between plate and sensor is always employed. This therefore indicates the maximum detection zone of the sensor. It is not possible to evaluate ultrasonic reflections outside this area.

Displayed is the detection zone at standard pressure. At 1 bar overpressure the sensitivity of the sensor will increase 5 times.

Operating voltage U _B	9 V to 30 V DC, short-circuit-proof
Voltage ripple	±10 %
No-load supply current	≤ 80 mA
Ambient pressure	up to 6.0 bar
Housing	Stainless steel 1.4571, plastic parts: PBT, TPU; Ultrasonic transducer: PTFE film, FFKM O-ring
Process connection	G1
Class of protection to EN 60529	IP 67
Norm conformity	EN 60947-5-2
Type of connection	5-pin initiator plug, PBT
Controls	2 push-buttons (TouchControl)
Indicators	3-digit LED-display, 2 three-colour LEDs
Programmable	Yes, with TouchControl and LinkControl
Operating temperature	-25°C to +70°C
Storage temperature	-40°C to +85°C
Weight	210 g
Switching hysteresis ¹⁾	3 mm
switching frequency ¹⁾	11 Hz
Response time ¹⁾	65 ms
Time delay before availability	< 300 ms

Order No.	hps+25/DIU/TC/E/G1
Switched output	pnp, U _B - 2 V, I _{max} = 200 mA switchable NOC/NCC, short-circuit-proof
Current output 4 - 20 mA	R _i ≤ 100 Ω at 9 V ≤ U _B ≤ 20 V; R _i ≤ 500 Ω at U _B ≥ 20 V
Voltage output 0 - 10 V	Rising/falling output characteristic R _i ≥ 100 kΩ at U _B ≥ 15 V, short-circuit-proof Rising/falling output characteristic

Operating voltage U _B	9 V to 30 V DC, short-circuit-proof
Voltage ripple	±10 %
No-load supply current	≤ 80 mA
Ambient pressure	up to 6.0 bar
Housing	Stainless steel 1.4571, plastic parts: PBT, TPU; Ultrasonic transducer: PTFE film, FFKM O-ring
Process connection	G1
Class of protection to EN 60529	IP 67
Norm conformity	EN 60947-5-2
Type of connection	5-pin initiator plug, PBT
Controls	2 push-buttons (TouchControl)
Indicators	3-digit LED-display, 2 three-colour LEDs
Programmable	Yes, with TouchControl and LinkControl
Operating temperature	-25°C to +70°C
Storage temperature	-40°C to +85°C
Weight	210 g
Switching hysteresis ¹⁾	5 mm
switching frequency ¹⁾	9 Hz
Response time ¹⁾	84 ms
Time delay before availability	< 300 ms

Order No.	hps+35/DIU/TC/E/G1
Switched output	pnp, U _B - 2 V, I _{max} = 200 mA switchable NOC/NCC, short-circuit-proof
Current output 4 - 20 mA	R _i ≤ 100 Ω at 9 V ≤ U _B ≤ 20 V; R _i ≤ 500 Ω at U _B ≥ 20 V
Voltage output 0 - 10 V	Rising/falling output characteristic R _i ≥ 100 kΩ at U _B ≥ 15 V, short-circuit-proof Rising/falling output characteristic

Operating voltage U _B	9 V to 30 V DC, short-circuit-proof
Voltage ripple	±10 %
No-load supply current	≤ 80 mA
Ambient pressure	up to 6.0 bar
Housing	Stainless steel 1.4571, plastic parts: PBT, TPU; Ultrasonic transducer: PTFE film, FFKM O-ring
Process connection	G1
Class of protection to EN 60529	IP 67
Norm conformity	EN 60947-5-2
Type of connection	5-pin initiator plug, PBT
Controls	2 push-buttons (TouchControl)
Indicators	3-digit LED-display, 2 three-colour LEDs
Programmable	Yes, with TouchControl and LinkControl
Operating temperature	-25°C to +70°C
Storage temperature	-40°C to +85°C
Weight	210 g
Switching hysteresis ¹⁾	20 mm
switching frequency ¹⁾	5 Hz
Response time ¹⁾	160 ms
Time delay before availability	< 300 ms

Order No.	hps+130/DIU/TC/E/G1
Switched output	pnp, U _B - 2 V, I _{max} = 200 mA switchable NOC/NCC, short-circuit-proof
Current output 4 - 20 mA	R _i ≤ 100 Ω at 9 V ≤ U _B ≤ 20 V; R _i ≤ 500 Ω at U _B ≥ 20 V
Voltage output 0 - 10 V	Rising/falling output characteristic R _i ≥ 100 kΩ at U _B ≥ 15 V, short-circuit-proof Rising/falling output characteristic

Operating voltage U _B	9 V to 30 V DC, short-circuit-proof
Voltage ripple	±10 %
No-load supply current	≤ 80 mA
Ambient pressure	up to 6.0 bar
Housing	Stainless steel 1.4571, plastic parts: PBT, TPU; Ultrasonic transducer: PTFE film, FFKM O-ring
Process connection	G2
Class of protection to EN 60529	IP 67
Norm conformity	EN 60947-5-2
Type of connection	5-pin initiator plug, PBT
Controls	2 push-buttons (TouchControl)
Indicators	3-digit LED-display, 2 three-colour LEDs
Programmable	Yes, with TouchControl and LinkControl
Operating temperature	-25°C to +70°C
Storage temperature	-40°C to +85°C
Weight	1,200 g
Switching hysteresis ¹⁾	50 mm
switching frequency ¹⁾	3 Hz
Response time ¹⁾	240 ms
Time delay before availability	< 300 ms

Order No.	hps+340/DIU/TC/E/G2
Switched output	pnp, U _B - 2 V, I _{max} = 200 mA switchable NOC/NCC, short-circuit-proof
Current output 4 - 20 mA	R _i ≤ 100 Ω at 9 V ≤ U _B ≤ 20 V; R _i ≤ 500 Ω at U _B ≥ 20 V
Voltage output 0 - 10 V	Rising/falling output characteristic R _i ≥ 100 kΩ at U _B ≥ 15 V, short-circuit-proof Rising/falling output characteristic

Operating voltage U _B	9 V to 30 V DC, short-circuit-proof
Voltage ripple	±10 %
No-load supply current	≤ 80 mA
Ambient pressure	up to 6.0 bar
Housing	Plastic parts: PVDF, PBT, TPU; Ultrasonic transducer: PTFE film, FFKM O-ring
Process connection	G2
Class of protection to EN 60529	IP 67
Norm conformity	EN 60947-5-2
Type of connection	5-pin initiator plug, PBT
Controls	2 push-buttons (TouchControl)
Indicators	3-digit LED-display, 2 three-colour LEDs
Programmable	Yes, with TouchControl and LinkControl
Operating temperature	-25°C to +70°C
Storage temperature	-40°C to +85°C
Weight	350 g
Switching hysteresis ¹⁾	50 mm
switching frequency ¹⁾	3 Hz
Response time ¹⁾	240 ms
Time delay before availability	< 300 ms

Order No.	hps+340/DIU/TC/G2
Switched output	pnp, U _B - 2 V, I _{max} = 200 mA switchable NOC/NCC, short-circuit-proof
Current output 4 - 20 mA	R _i ≤ 100 Ω at 9 V ≤ U _B ≤ 20 V; R _i ≤ 500 Ω at U _B ≥ 20 V
Voltage output 0 - 10 V	Rising/falling output characteristic R _i ≥ 100 kΩ at U _B ≥ 15 V, short-circuit-proof Rising/falling output characteristic

1) Can be programmed with TouchControl and LinkControl