



## Operating manual

### mic Ultrasonic Sensors with one analogue output

mic-25/IU/M  
mic-35/IU/M  
mic-130/IU/M  
mic-340/IU/M  
mic-600/IU/M

#### Product description

- The mic-sensor with one analogue output measures the distance to an object within the detection zone contactless. A signal proportional to distance is created according to the adjusted window margins of the analogue characteristic curve.
- The sensor automatically detects the load put to the analogue output and switches to current output or voltage output respectively.
- Choosing between rising and falling output characteristic is possible.
- The sensors are adjustable using Teach-in processes via the Com-channel (Pin 5).
- Using the LinkControl adapter (optional accessory) all Teach-in and additional sensor parameter settings may be made by a Windows-Software.

#### Important instructions for assembly and application

All employee and plant safety-relevant measures must be taken prior to assembly, start-up, or maintenance work (see operation manual for the entire plant and the operator instruction of the plant).

**The sensors are not considered as safety equipment and may not be used to ensure human or machine safety!**

The mic-sensors indicate a **blind zone**, in which the distance cannot be measured. The **operating range** indicates the distance of the sensor that can be applied with normal reflectors with sufficient function reserve. When using good reflectors, such as a calm water surface, the sensor can also be used up to its **maximum range**. Objects that strongly absorb (e.g. plastic foam) or diffusely reflect sound (e.g. pebble stones) can also reduce the defined operating range.

#### Assembly instructions

- Assemble the sensor at the installation location.
- Plug in the connector cable to the M 12 connector.

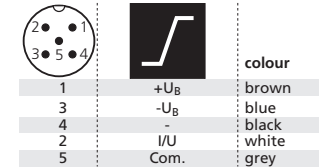


Fig. 1: Pin assignment with view onto sensor plug and colour coding of the microsonic connection cable

#### Synchronisation

If the assembly distances shown in Fig. 2 for two or more sensors are exceeded the integrated synchronisation should be used. Connect Sync/Com-channels (pin 5 at the units receptable) of all sensors (10 maximum).

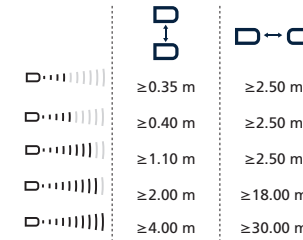


Fig. 2: Assembly distances

#### Start-up

mic-sensors are delivered factory made with the following settings:

- Rising analogue characteristic
- Window margins for the analogue output set to blind zone and operating range
- Maximum detection range set to maximum range

Set the parameters of the sensor using the Teach-in procedure to adjust the analogue characteristic curve.

#### Operation

mic-sensors work maintenance free. Small amounts of dirt on the surface do not influence function. Thick layers of dirt and caked-on dirt affect sensor function and therefore must be removed.

#### Note

- mic-sensors have internal temperature compensation. Because the sensors heat up on their own, the temperature compensation reaches its optimum working point after approx. 30 minutes of operation.
- The load put to the analogue output is detected automatically when turning supply voltage on.
- If no signal is detected for 20 seconds during teach-in procedure the made changes are stored and the sensor returns to normal mode operation.
- You can reset the factory settings at any time, see »Reset to factory setting«.



## Contact

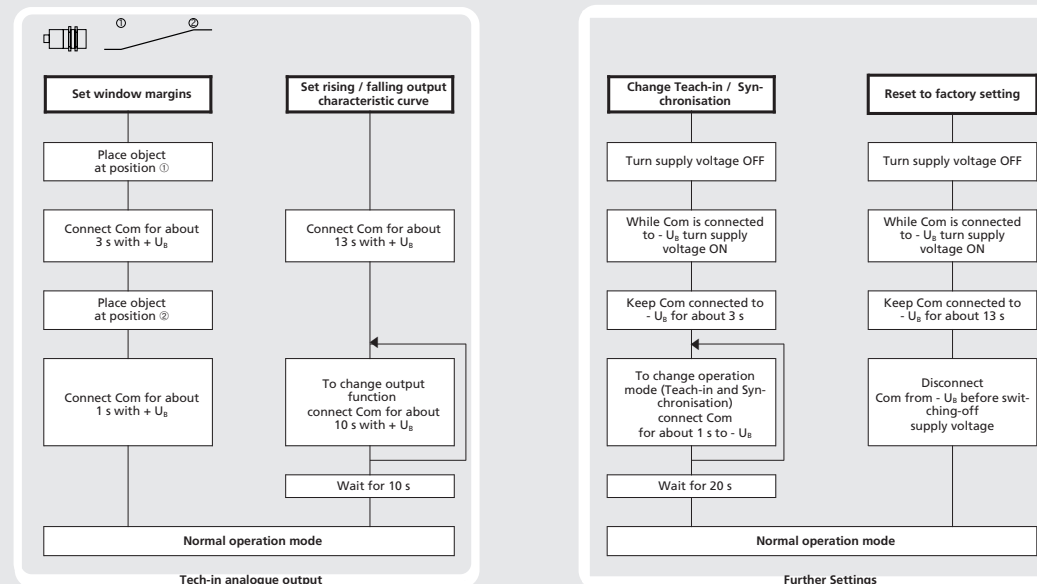
### Sensor Partners BV

James Wattlaan 15  
5151 DP Drunen  
The Netherlands  
+31 (0)416 - 37 82 39  
info@sensorpartners.com  
sensorpartners.com

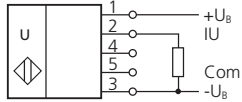
### Sensor Partners BVBA

Z.1 Researchpark 130  
B-1731, Zellik  
Belgium  
+32 (0)2 - 464 96 90  
info@sensorpartners.com  
sensorpartners.com

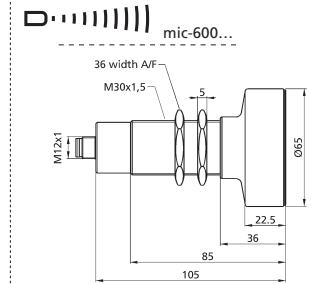
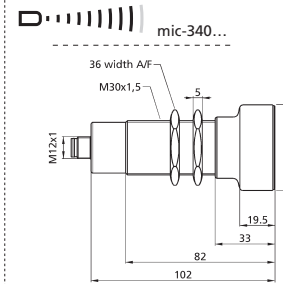
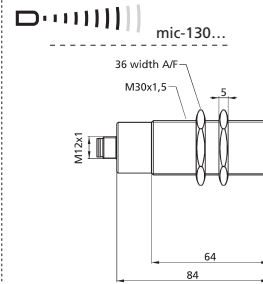
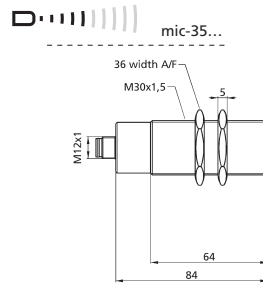
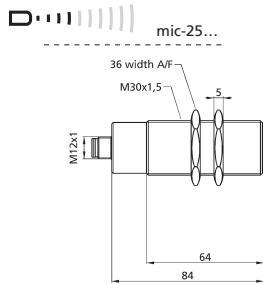
## Set the mic-sensor using the Teach-in procedure



# Technical data



Analogue output



**Blind zone** 0 to 30 mm  
**Operating range** 250 mm  
**Maximum range** 350 mm  
**Angle of beam spread** Please see detection zone  
**Transducer frequency** 320 kHz  
**Resolution, sampling rate** 0.025 mm to 0.10 mm, depending on the analogue window

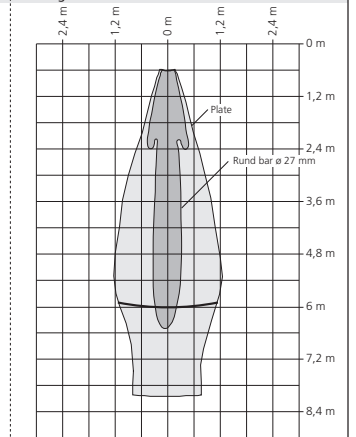
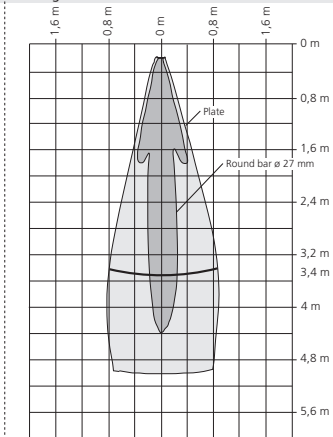
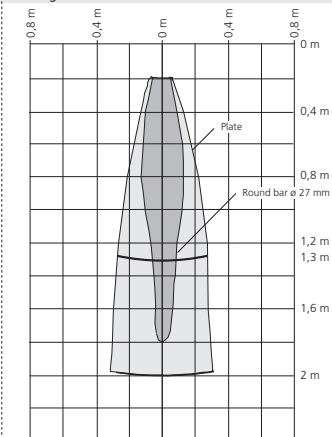
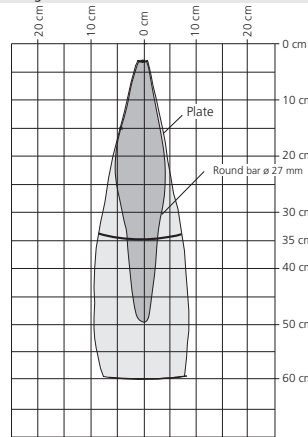
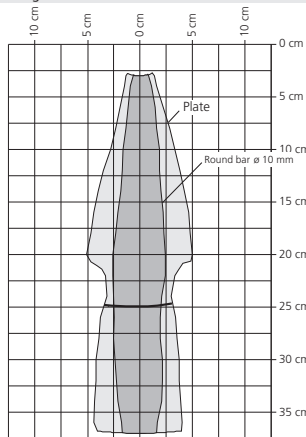
**Blind zone** 0 to 65 mm  
**Operating range** 350 mm  
**Maximum range** 600 mm  
**Angle of beam spread** Please see detection zone  
**Transducer frequency** 400 kHz  
**Resolution, sampling rate** 0.025 mm to 0.17 mm, depending on the analogue window

**Blind zone** 0 to 200 mm  
**Operating range** 1,300 mm  
**Maximum range** 2,900 mm  
**Angle of beam spread** Please see detection zone  
**Transducer frequency** 120 kHz  
**Resolution, sampling rate** 0.18 mm to 0.57 mm, depending on the analogue window

**Blind zone** 0 to 350 mm  
**Operating range** 3,400 mm  
**Maximum range** 5,000 mm  
**Angle of beam spread** Please see detection zone  
**Transducer frequency** 120 kHz  
**Resolution, sampling rate** 0.18 mm to 1.5 mm, depending on the analogue window

**Blind zone** 0 to 600 mm  
**Operating range** 6,000 mm  
**Maximum range** 8,000 mm  
**Angle of beam spread** Please see detection zone  
**Transducer frequency** 80 kHz  
**Resolution, sampling rate** 0.18 mm to 2.4 mm, depending on the analogue window

**Detection zones for different objects:**  
 The dark grey areas are determined with a thin round bar (10 or 27 mm dia.) and indicate the typical operating range of a sensor. In order to obtain the light grey areas, a plate (500 x 500 mm) is introduced into the beam spread from the side. In doing so, the optimum angle between plate and sensor is always employed. This therefore indicates the maximum detection zone of the sensor. It is not possible to evaluate ultrasonic reflections outside this area.



**Reproducibility** ± 0,15 %  
**Accuracy** ± 1 % (Temperature drift internal compensated, may be deactivated<sup>1)</sup> (0,17%/K without compensation)

**Reproducibility** ± 0,15 %  
**Accuracy** ± 1 % (Temperature drift internal compensated, may be deactivated<sup>1)</sup> (0,17%/K without compensation)

**Reproducibility** ± 0,15 %  
**Accuracy** ± 1 % (Temperature drift internal compensated, may be deactivated<sup>1)</sup> (0,17%/K without compensation)

**Reproducibility** ± 0,15 %  
**Accuracy** ± 1 % (Temperature drift internal compensated, may be deactivated<sup>1)</sup> (0,17%/K without compensation)

**Reproducibility** ± 0,15 %  
**Accuracy** ± 1 % (Temperature drift internal compensated, may be deactivated<sup>1)</sup> (0,17%/K without compensation)

**Operating voltage U<sub>B</sub>** 9 V to 30 V DC, reverse polarity protection  
**Voltage ripple** ±10 %  
**No-load supply current** ≤ 80 mA

**Operating voltage U<sub>B</sub>** 9 V to 30 V DC, reverse polarity protection  
**Voltage ripple** ±10 %  
**No-load supply current** ≤ 80 mA

**Operating voltage U<sub>B</sub>** 9 V to 30 V DC, reverse polarity protection  
**Voltage ripple** ±10 %  
**No-load supply current** ≤ 80 mA

**Operating voltage U<sub>B</sub>** 9 V to 30 V DC, reverse polarity protection  
**Voltage ripple** ±10 %  
**No-load supply current** ≤ 80 mA

**Operating voltage U<sub>B</sub>** 9 V to 30 V DC, reverse polarity protection  
**Voltage ripple** ±10 %  
**No-load supply current** ≤ 80 mA

**Housing** Brass sleeve, nickel-plated, plastic parts: PBT; Ultrasonic transducer: polyurethane foam, epoxy resin with glass content

**Housing** Brass sleeve, nickel-plated, plastic parts: PBT; Ultrasonic transducer: polyurethane foam, epoxy resin with glass content

**Housing** Brass sleeve, nickel-plated, plastic parts: PBT; Ultrasonic transducer: polyurethane foam, epoxy resin with glass content

**Housing** Brass sleeve, nickel-plated, plastic parts: PBT; Ultrasonic transducer: polyurethane foam, epoxy resin with glass content

**Housing** Brass sleeve, nickel-plated, plastic parts: PBT; Ultrasonic transducer: polyurethane foam, epoxy resin with glass content

**Class of protection to EN 60529** IP 67

**Class of protection to EN 60529** IP 67

**Class of protection to EN 60529** IP 67

**Class of protection to EN 60529** IP 67

**Class of protection to EN 60529** IP 67

**Norm conformity** EN 60947-5-2

**Norm conformity** EN 60947-5-2

**Norm conformity** EN 60947-5-2

**Norm conformity** EN 60947-5-2

**Norm conformity** EN 60947-5-2

**Type of connection** 5-pin initiator plug, Brass, nickel-plated

**Type of connection** 5-pin initiator plug, Brass, nickel-plated

**Type of connection** 5-pin initiator plug, Brass, nickel-plated

**Type of connection** 5-pin initiator plug, Brass, nickel-plated

**Type of connection** 5-pin initiator plug, Brass, nickel-plated

**Controls** Yes, via Com-channel

**Controls** Yes, via Com-channel

**Controls** Yes, via Com-channel

**Controls** Yes, via Com-channel

**Controls** Yes, via Com-channel

**Indicators** No

**Indicators** No

**Indicators** No

**Indicators** No

**Indicators** No

**Programmable** Yes, with Teach-in and LinkControl

**Programmable** Yes, with Teach-in and LinkControl

**Programmable** Yes, with Teach-in and LinkControl

**Programmable** Yes, with Teach-in and LinkControl

**Programmable** Yes, with Teach-in and LinkControl

**Operating temperature** -25°C bis +70°C

**Operating temperature** -25°C bis +70°C

**Operating temperature** -25°C bis +70°C

**Operating temperature** -25°C bis +70°C

**Operating temperature** -25°C bis +70°C

**Storage temperature** -40°C bis +85°C

**Storage temperature** -40°C bis +85°C

**Storage temperature** -40°C bis +85°C

**Storage temperature** -40°C bis +85°C

**Storage temperature** -40°C bis +85°C

**Weight** 200 g

**Weight** 200 g

**Weight** 200 g

**Weight** 260 g

**Weight** 320 g

**Response time<sup>1)</sup>** 32 ms

**Response time<sup>1)</sup>** 64 ms

**Response time<sup>1)</sup>** 92 ms

**Response time<sup>1)</sup>** 172 ms

**Response time<sup>1)</sup>** 240 ms

**Time delay before availability** < 390 ms

**Time delay before availability** < 420 ms

**Time delay before availability** < 440 ms

**Time delay before availability** < 530 ms

**Time delay before availability** < 600 ms

**Order No.** mic-25/IU/M

**Order No.** mic-35/IU/M

**Order No.** mic-130/IU/M

**Order No.** mic-340/IU/M

**Order No.** mic-600/IU/M

**Current output 4 – 20 mA** R<sub>i</sub> ≤ 100 Ω at 9 V ≤ U<sub>B</sub> ≤ 20 V; R<sub>i</sub> ≤ 500 Ω at U<sub>B</sub> ≥ 20 V

**Current output 4 – 20 mA** R<sub>i</sub> ≤ 100 Ω at 9 V ≤ U<sub>B</sub> ≤ 20 V; R<sub>i</sub> ≤ 500 Ω at U<sub>B</sub> ≥ 20 V

**Current output 4 – 20 mA** R<sub>i</sub> ≤ 100 Ω at 9 V ≤ U<sub>B</sub> ≤ 20 V; R<sub>i</sub> ≤ 500 Ω at U<sub>B</sub> ≥ 20 V

**Current output 4 – 20 mA** R<sub>i</sub> ≤ 100 Ω at 9 V ≤ U<sub>B</sub> ≤ 20 V; R<sub>i</sub> ≤ 500 Ω at U<sub>B</sub> ≥ 20 V

**Current output 4 – 20 mA** R<sub>i</sub> ≤ 100 Ω at 9 V ≤ U<sub>B</sub> ≤ 20 V; R<sub>i</sub> ≤ 500 Ω at U<sub>B</sub> ≥ 20 V

**Rising/falling output characteristic** R<sub>i</sub> ≥ 100 kΩ at U<sub>B</sub> ≥ 15 V, short-circuit-proof

**Rising/falling output characteristic** R<sub>i</sub> ≥ 100 kΩ at U<sub>B</sub> ≥ 15 V, short-circuit-proof

**Rising/falling output characteristic** R<sub>i</sub> ≥ 100 kΩ at U<sub>B</sub> ≥ 15 V, short-circuit-proof

**Rising/falling output characteristic** R<sub>i</sub> ≥ 100 kΩ at U<sub>B</sub> ≥ 15 V, short-circuit-proof

**Rising/falling output characteristic** R<sub>i</sub> ≥ 100 kΩ at U<sub>B</sub> ≥ 15 V, short-circuit-proof

**Rising/falling output characteristic** R<sub>i</sub> ≥ 100 kΩ at U<sub>B</sub> ≥ 15 V, short-circuit-proof

**Rising/falling output characteristic** R<sub>i</sub> ≥ 100 kΩ at U<sub>B</sub> ≥ 15 V, short-circuit-proof

**Rising/falling output characteristic** R<sub>i</sub> ≥ 100 kΩ at U<sub>B</sub> ≥ 15 V, short-circuit-proof

**Rising/falling output characteristic** R<sub>i</sub> ≥ 100 kΩ at U<sub>B</sub> ≥ 15 V, short-circuit-proof

**Rising/falling output characteristic** R<sub>i</sub> ≥ 100 kΩ at U<sub>B</sub> ≥ 15 V, short-circuit-proof

**Rising/falling output characteristic** R<sub>i</sub> ≥ 100 kΩ at U<sub>B</sub> ≥ 15 V, short-circuit-proof

**Rising/falling output characteristic** R<sub>i</sub> ≥ 100 kΩ at U<sub>B</sub> ≥ 15 V, short-circuit-proof

**Rising/falling output characteristic** R<sub>i</sub> ≥ 100 kΩ at U<sub>B</sub> ≥ 15 V, short-circuit-proof

**Rising/falling output characteristic** R<sub>i</sub> ≥ 100 kΩ at U<sub>B</sub> ≥ 15 V, short-circuit-proof

**Rising/falling output characteristic** R<sub>i</sub> ≥ 100 kΩ at U<sub>B</sub> ≥ 15 V, short-circuit-proof

<sup>1)</sup> Can be programmed with LinkControl